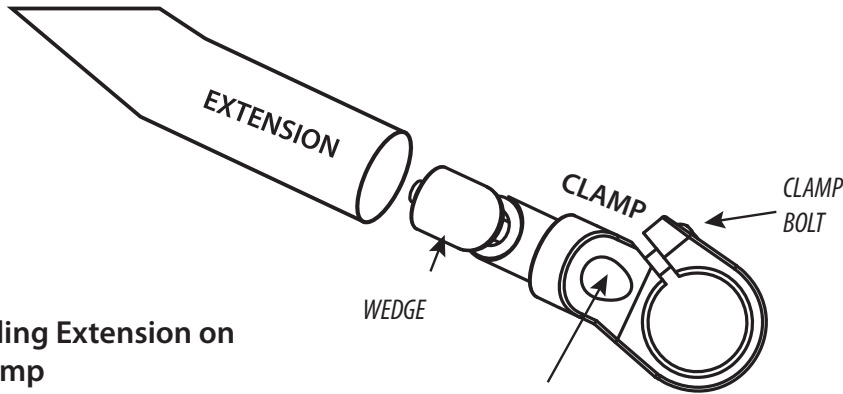


SOMA CLARENCE II BARS with CLETUS EXTENSIONS

Installing Extension on to Clamp

Loosen the wedge bolt, so wedge can insert into the extension tube. Twist the extension to the desired position. The extensions can face each other or face up. Tighten the wedge bolt to lock extensions in place.



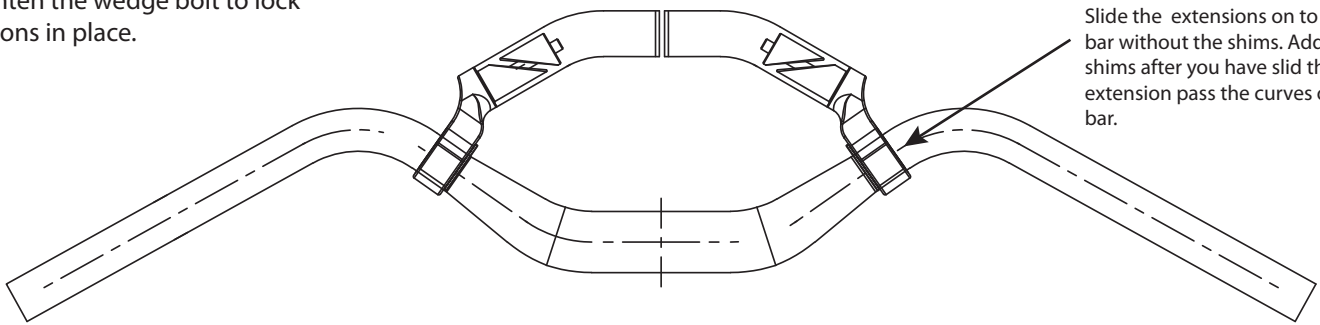
Clamping the Assembled Cletus Extension on to the Handlebar

Loosen the Clamp Bolt. Slide the extension onto the Clarence Bar to a safe area. Slip the shims under the clamp. Set the extension at a desired angle and tighten the bolt.

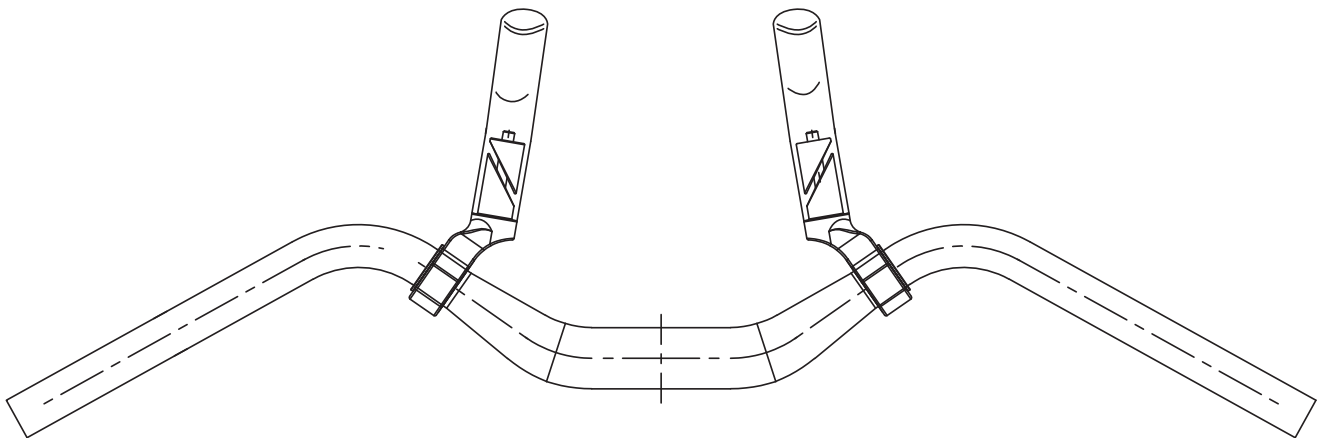
DO NOT apply grease between clamp and bar.

DO NOT use these extensions on different model handlebars. We cannot guarantee safe installation on other bars including other Soma bars.

The extensions come with shims. Slide the extensions on to the bar without the shims. Add the shims after you have slid the extension pass the curves on the bar.



Set up #1:
Cletus Ends with the extension turning inwards.
Allows for installing accessories on the extensions



Set up #2:
Left and right Cletus Ends swapped to opposite sides - with the extensions rotated upwards.
Allows for a more aero ride position.